

SYSTEM COMPONENTS

- AirPocket constructed from 304 stainless steel
- Proprietary Soft Close rail system
- AirMax 1.5 HP Whisper Blower (Alt. HP available)
- Timer switch
- Timer relay (T92 DPST 30A 1150 coil or comparable)
- Multi-port PVC air manifold
- 3/4" flexible tubing and clamps
- 3/4" barbed elbows
- 3/4" male adapters
- 2" steel PVC straps

SHIPPING

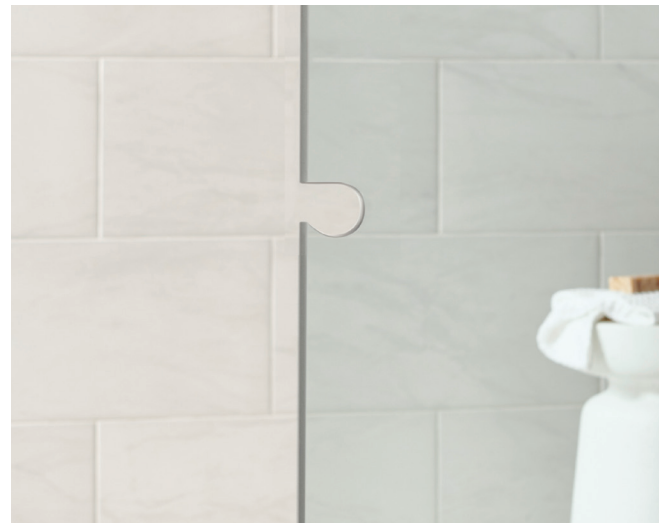
- The AirPocket is delivered (LTL) freight
- A loading dock, forklift or additional assistance is required to unload at the delivery site
- The AirPocket is crated and can be broken down to offload from the truck manually

DIMENSIONS

- Custom sizing available
- Can install with or without raised threshold
- The dimensions will shrink depending on the thickness of the material used to finish the opening. For example, if you use 1/2" slab material plus a waterproofing membrane, the opening dimensions (width and height) will be reduced by approximately 1-1/4"
- A drawing will be provided for your specific project

FINISH

- During onsite install, tile or slab material of your choice is used to finish the header trim and jam trim flanking the opening of the pocket door
- The same finish material creates a track for the glass to travel across the threshold
- The finished track is 1/2" wide and 5/8" deep



DRAINAGE

- A 1/4" drain pipe is incorporated into the bottom center of the AirPocket
- Two drain methods: plumb through threshold to connect to shower drain, or plumb directly into wastewater pipe

GLASS

- Glass for the door is not included
- Specifications for the AirPocket and glass door will be provided for your local glass supplier
- 3/8" low iron glass is required
- Protective glass coating is recommended

ADDITIONAL GUIDELINES

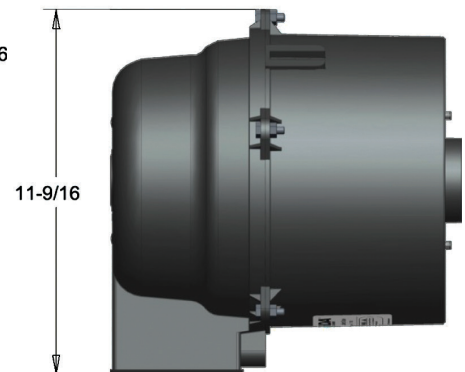
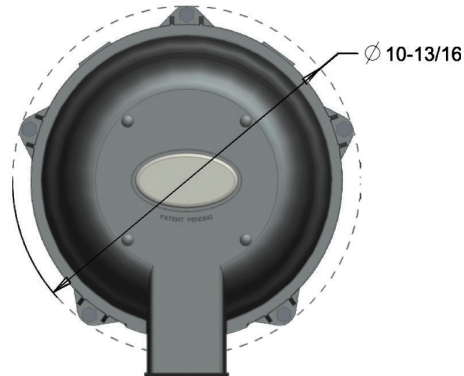
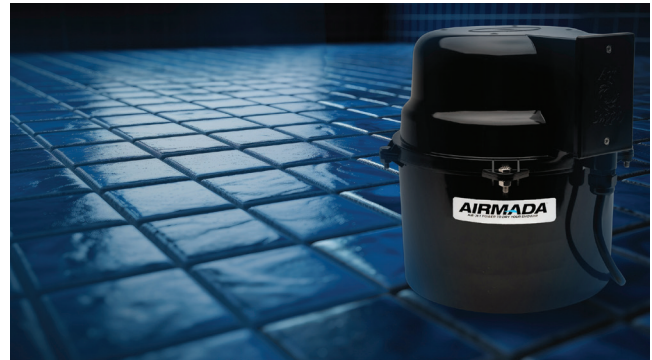
- The AirJet Shower Drying System can be incorporated into the shower space during installation of the AirPocket Door
- AirMax Whisper Blower can be mounted up to 50 feet from the AirPocket Door
- It is recommended to place the blower in a conditioned space that is accessible
- Timer relay is included for compatibility with custom timers if desired. The relay also allows one timer to run multiple systems

ENGINEERED TO PERFORM. DESIGNED FOR BEAUTY.

THE POWER TO DRY IN MINUTES, NOT HOURS

Let's talk horsepower. There are four HP options available. Airmada will recommend the correct size based on shower or wet room dimensions. Each nozzle layout configuration is custom designed for maximum efficiency.

For the AirPocket door, the nozzles are built into the door frame. This ensures the track and glass are dried in the stored position.



HP	AMPS	VOLTS	AIR FLOW (CFM)	SEALED PRESSURE (H2O)
0.8	2.7	110/120	85	50
1.0	5.5	110/120	105	80
1.5	7.3	110/120	115	105
2	9	110/120	115	130

Motor decibels range from 62-70

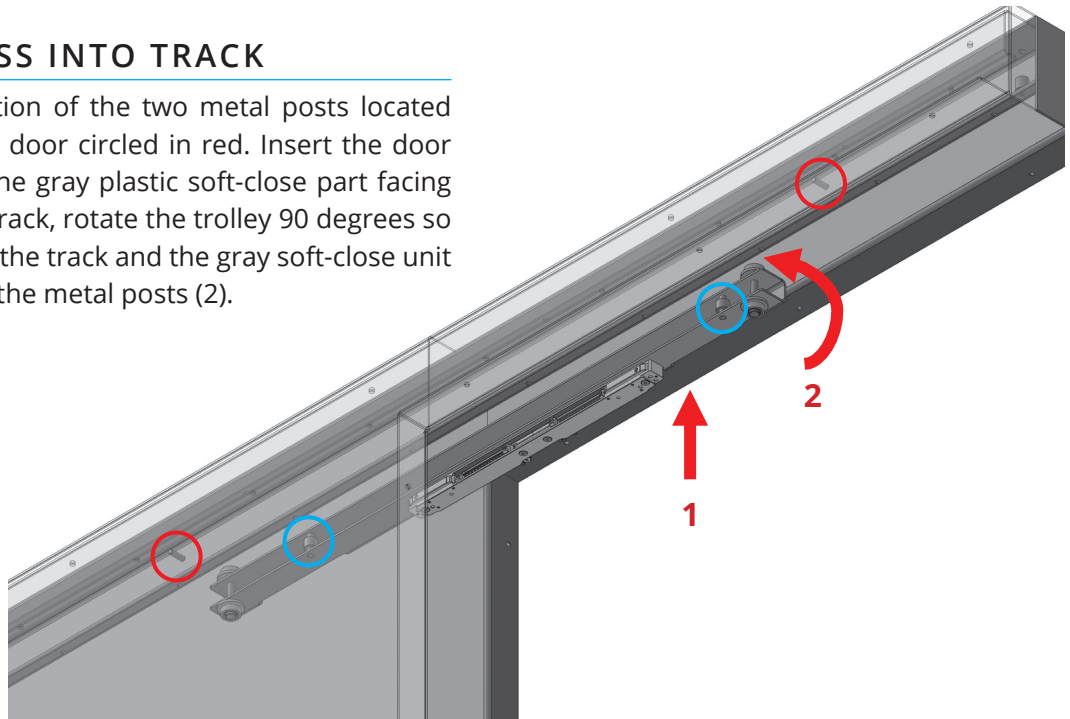
ENGINEERED TO PERFORM. DESIGNED FOR BEAUTY.

AIRPOCKET DOOR

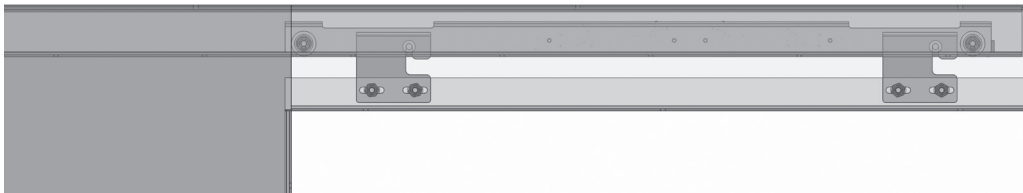
For a detailed explanation and the latest updates, we recommend reading the installation manual before getting started. Accessed with the QR code below.

INSERTING GLASS INTO TRACK

Take note of the location of the two metal posts located within the track of the door circled in red. Insert the door trolley vertically with the gray plastic soft-close part facing down (1). Once in the track, rotate the trolley 90 degrees so that the wheels are on the track and the gray soft-close unit is on the same side as the metal posts (2).



Hang the glass with the opening of the hanger brackets facing away from the pocket as shown. Glass hangs on the round posts circled in blue in the previous image.



INSTALLATION

Download our complete How-To guide. Simply scan the QR code to the right.



ENGINEERED TO PERFORM. DESIGNED FOR BEAUTY.